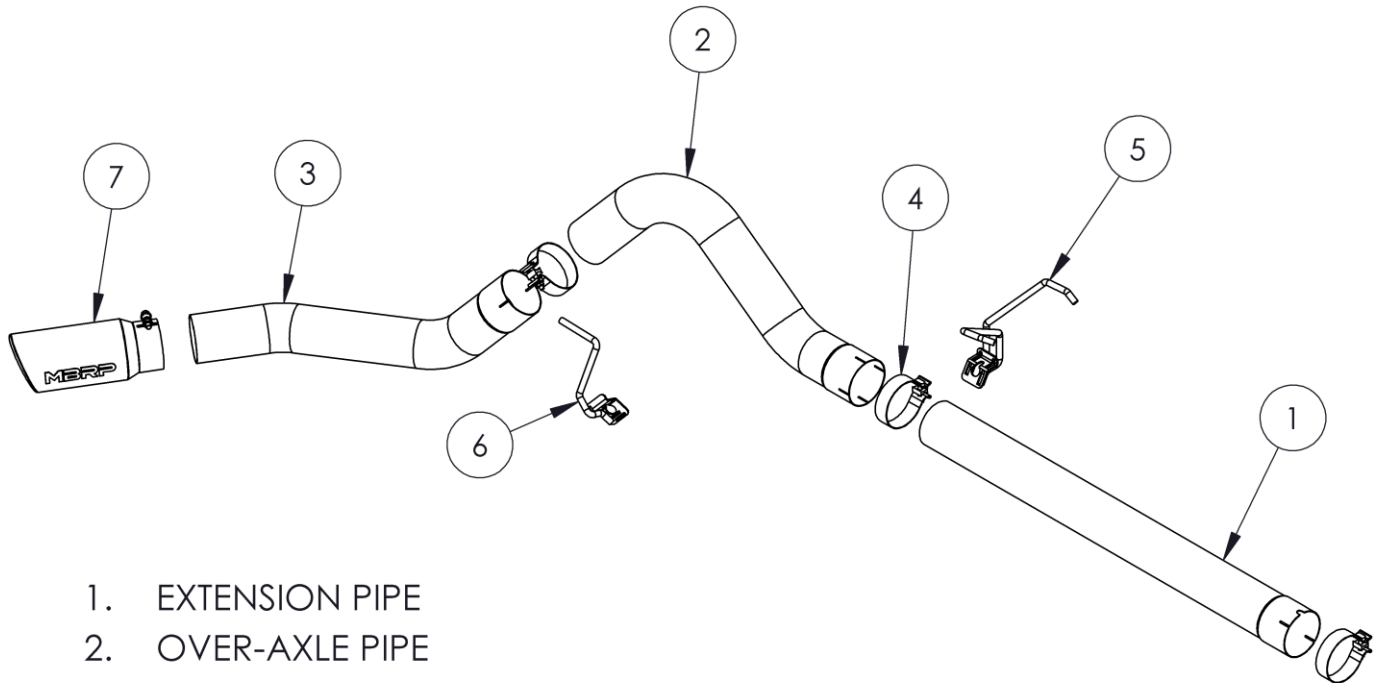


S6130

2007-2012 RAM , 2500/3500,
6.7L CUMMINS,
4" FILTER BACK, SINGLE SIDE EXIT

MBRP®



1. EXTENSION PIPE
2. OVER-AXLE PIPE
3. TAIL PIPE
4. 4" BAND CLAMP (3PCS)
5. HANG TIGHT™ HANGER
6. HANG TIGHT™ HANGER
7. 5" EXHAUST TIP

PLEASE READ BEFORE STARTING INSTALLATION

While MBRP has made every effort to ensure that all components of this system are of superior quality and properly packaged, it is the installer's responsibility to ensure the following before removal of the factory exhaust:

- that ALL components shown above are present.
- that ALL mating components fit together.
- that there are no damaged components.
- that the system you have purchased is appropriate for your vehicle year, model and configuration.
- that the system will not interfere with any modifications previously installed or planned.
- that you have read and understand these instructions.

If you have any questions or are uncertain about any aspect of the installation of this system to your vehicle please contact your dealer before commencing installation.

MBRP

Removal of Stock System:



Figure 1

1. Apply a penetrating lubricant liberally to all exhaust fasteners, hangers and rubber insulators.
2. Loosen the nut on the clamps located behind the particulate filter and behind the muffler using a wrench or socket. **Refer to Figure 1.**
3. Remove the muffler and tail pipe from the OEM rubber hangers. Remove the stock exhaust from vehicle. **Refer to Figure 2.**

Installation of MBRP Performance Exhaust:



Figure 2

1. The **Extension Pipe** provided is the proper length the Crew Cab Long bed. For all other models the extension pipe will need to be shortened. Slide the **4" Clamp** onto the **Extension Pipe** and install behind the particulate filter. **Refer to Figures 3 & 4.**



Figure 3

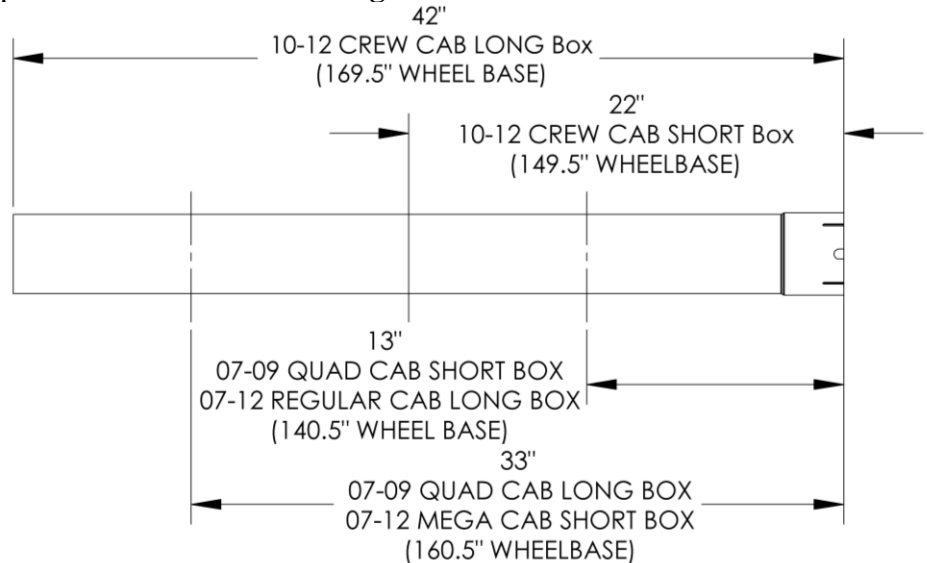
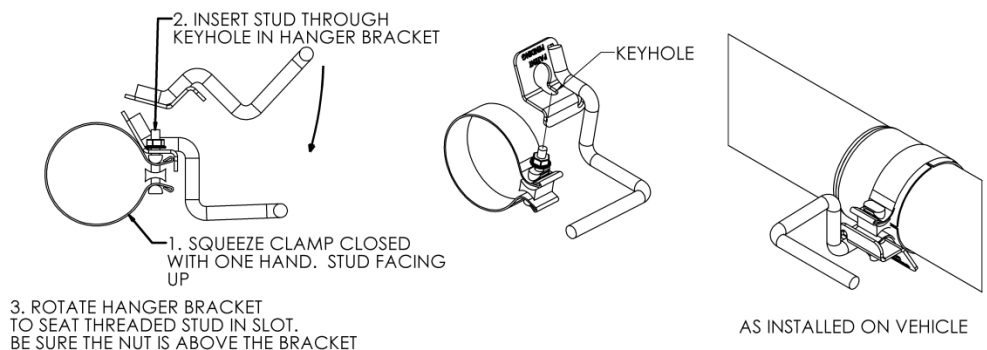


Figure 4

2. Install both supplied **Hang Tight™ Hangers** onto **4.0" Band Clamps** using the procedure shown below. (Hang Tight™ Hanger not exactly as shown)



MBRP



Figure 5

3. Slide the previously assembled dual **Hang Tight™ Hanger Clamp** assembly onto the outlet end of the **Extension Pipe**. Install the hangers into the existing OEM rubber insulators.

Refer to Figure 5.

4. Install the **Over-Axle Pipe** from the rear of the truck, over the axle and attach it to the **Extension Pipe** using the dual **Hang Tight™ Hanger Clamp** assembly.



Figure 6

5. Install the **Tail Pipe** from the rear of the truck, and attach it to the **Over-Axle Pipe** using the second (smaller) **Hang Tight™ Hanger Clamp** assembly. Slide the hanger into the OEM rubber insulator. **Refer to Figure 6.**

6. Install and adjust the **Exhaust Tip** to suit. Tighten the lock bolt located on the **Exhaust Tip**. **Refer to Figure 7.**

7. Align the exhaust as required. Starting at the front of the exhaust, tighten all clamps and connections.

8. Check along the whole length of the exhaust system to ensure that there is adequate clearance around the spare tire, fuel and brake lines or any wiring. If any interference is detected relocate or adjust.



Figure 7



Congratulations! You are ready to begin experiencing the improved power, sound and driving experience of your **MBRP** performance exhaust system. We know you will enjoy your purchase.